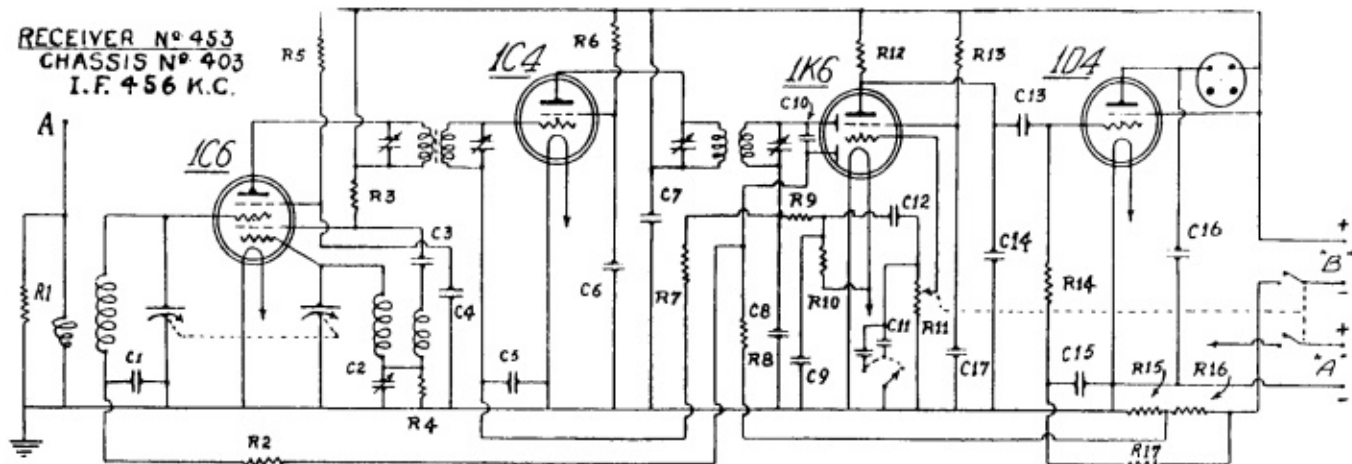


# "Airzone" Battery Operated Broadcast Mantel Model 453

RECEIVER No 453  
CHASSIS No 403  
I. F. 456 K.C.



## COMPONENT VALUES

### RESISTORS.

R1—10,000 ohms,  $\frac{1}{2}$  W.; R2, R7, R8—1 megohm,  $\frac{1}{2}$  W.; R3—50,000 ohms,  $\frac{1}{2}$  W.; R4, R9—50,000 ohms  $\frac{1}{2}$  W.; R5—30,000 ohms,  $\frac{1}{2}$  W.; R6—100,000 ohms,  $\frac{1}{2}$  W.; R10, R14—500,000 ohms,  $\frac{1}{2}$  W.; R11—500,000 ohms, volume control; R12—250,000 ohms,  $\frac{1}{2}$  W.; R13—1 megohm,  $\frac{1}{2}$  W.; R15—180 ohms, w.w.; R16—250 ohms, w.w.; R17—250,000 ohms,  $\frac{1}{2}$  W.

### CONDENSERS.

C1, C5—0.05 mfd., 400 v., paper; C2—5 plate padder; C3—1,000 mmfd., mica; C4, C6, C7, C17—0.1 mfd., 400 v., paper; C8, C9—100 mmfd., mica; C10—50 mmfd., mica; C11—0.001 mfd. and 0.004 mfd. two-section condenser, for tone control; C12, C13—0.01 mfd., 400 v., paper; C14—250 mmfd., mica; C15—0.25 mfd., 400 v., paper; C16—5,000 mmfd., mica.

### OPERATING VOLTAGES.

All voltages measured to chassis with a "1,000 ohms per volt" meter; no signal tuned in.

1C6, Frequency Converter: Plate, 130 v.; screen, 50 v.; grid, —3.3 v.; osc. anode grid, 60 v. Plate current, 1.2 mA.

1C4, 456 kC. 1.F. Amplifier: Plate, 130 v.; screen, 42 v.; grid, zero. Plate current, 2.0 mA.

1K6, Detector, A.V.C. Rectifier and A.F. Amplifier: Plate, 30 v.; screen, 18 v.; grid, zero. Plate current, 0.26 mA.

1D4, Output Pentode: Plate, 127 v.; screen, 130 v.; grid, —5.5 v. Plate Current, 3.6 mA.

Total "B" current, no signal, 12 mA.; average signal, 9-10 mA.  
"A" battery, 2 volts; "B" battery, 135 volts; no "C" battery.